

# TRIPLEX Net Stacking Crane

Type NK 6000T

For easier tuna net stacking



Net Crane type NK-6000T is designed to make the net and cork line stacking easier on tuna vessels, where the net is hauled from the sea by a power block in a boom.

When using the NK-6000T crane, the boom with the power block can be positioned more to the port side to make the stacking of the sinker line easier. The Net crane will haul the netting and the cork line towards the starboard side, and also be able to pull/push the net in longitudinal direction.

The TR-129 roller is specially designed to pull both netting and cork line simultaneously, or only netting or cork line.

The roller has a long cylindrical part covered with rubber, a large inner shield and a outer stainless steel "wheel" for minimum friction.

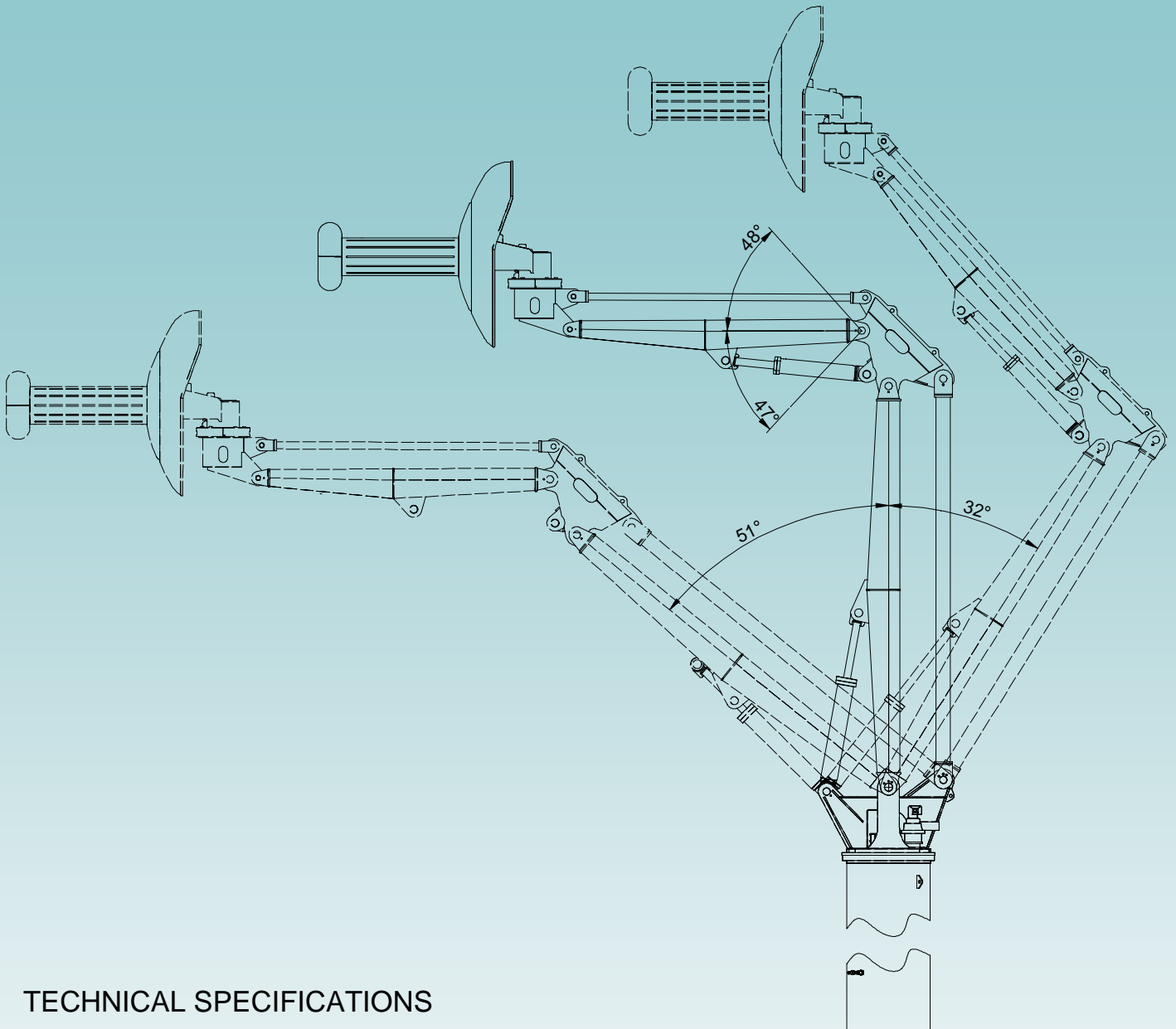
When only cork line is pulled, the roller is manoeuvred in a such angle that the netting is running over the stainless steel "wheel" and only the cork line is pulled over to the starboard side. The roller is powered by a hydraulic motor.

The NK-6000T is radio remote controlled.

*Faster and easier net handling*



# Dimensions



## TECHNICAL SPECIFICATIONS

Hauling power of roller	1.750 kp
Hauling speed of roller	55 m/min.
Max. reach from centre pedestal to mid. roller	12.800 mm
Length "vertical arms"	6.500 mm
Length "horizontal arms"	5.500 mm
Max. height of pedestal	7.500 mm
Slewing angle crane	360 degrees
Slewing torque	15.000 kpm
Slewing angle roller unit	220 degrees
Required power for pump	60 kW
Weight of crane with roller and 7,5 m pedestal	11.100 kgs (approx.)



**TRIPLEX AS**

HENDA, N-6530 AVERØY, NORWAY

Phone: (47) 71 51 39 00 • Fax: (47) 71 51 39 01

E-mail: [post@triplex.no](mailto:post@triplex.no) [www.triplex.no](http://www.triplex.no)